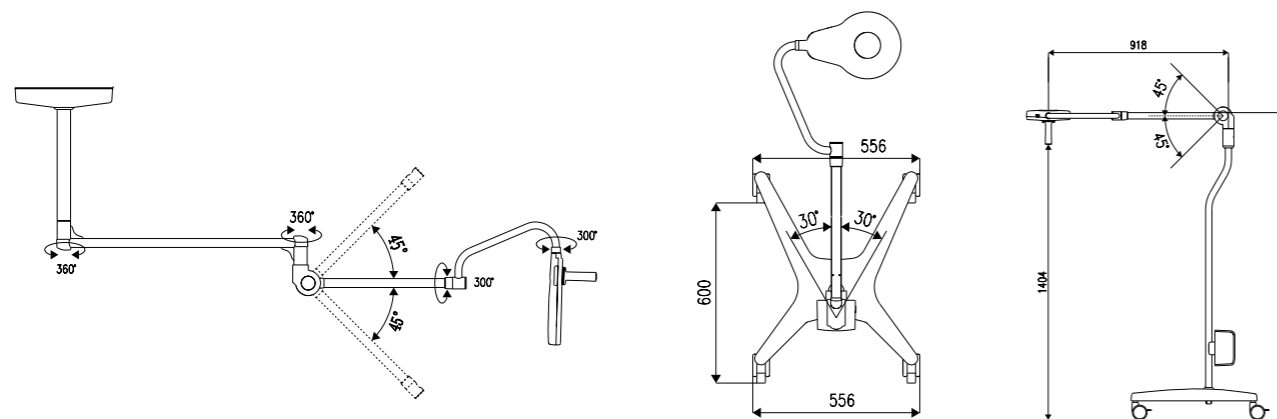


## Technical Specifications

	HyLED 200/200M
Central illuminance (at 1m distance)	70,000lux
Light field diameter(at 1m distance)	170mm
Depth of illumination (20%)	1,500mm
Depth of illumination (60%)	700mm
Color temperature	4,350K
Color rendering index (Ra)	96
Color rendering index (R9 )	96
Service life of bulb	≥60,000h
Optional battery supply duration	10 hours
Dimming range	10-100%
Number of LED bulbs	6
Max. power consumption of all light sources	28w
Light head dimension	230*330mm



## HyLED 200 Series NEW LED Examination & Treatment Light



Mindray Building, Keji 12th Road South,  
High-tech Industrial Park, Nanshan, Shenzhen 518057, P.R. China  
Tel: +86 755 8188 8998 Fax: +86 755 26582680  
E-mail: int-market@mindray.com www.mindray.com

**mindray** | healthcare within reach are registered trademarks or trademarks owned by Shenzhen Mindray Bio-medical Electronics Co., LTD.  
©2014 Shenzhen Mindray Bio-Medical Electronics Co., Ltd. All rights reserved. Specifications subject to changes without prior notice.  
P/N:ENG-HyLED200-210285x4P-20170424

**mindray**

**mindray**  
healthcare within reach

# HyLED 200 Series

## LED Examination & Treatment Light

Mindray HyLED 200 inherits the advanced technology from LED surgical light and shows excellent light performance: better light intensity, longer service life and lower power consumption. It is ideal for patient examination, ICU, outpatient, as well as OR-induction, treatment room and recovery areas.

- 70,000 lux illuminance with 1,500mm depth for the best possible visualization
- Better tissue differentiation with color rendering index(Ra & R9)at 96
- LED life of up to 60,000 hours and lower power consumption
- Up to 10 hours battery(optional) duration at maximum intensity
- Five-year warranty for LED bulb

## Flexible and simple handling

The following features can be operated electronically using the control panel in the light head:

- On/off switching
- 5-step brightness control



## Various options for different clinical application

### Small clinics, ER and examination room

- Recommend with mobile light
- 4 universal 75mm casters, with foot brake

### ICU

- Recommend with pendant mounted light
- Rotation radius of up to 1.5m with maximum flexibility

### OR-induction, treatment room and recovery areas

- Recommend with ceiling or wall mounted light
- No need for reposition when establishing vein channel
- Optional with sterilizable handle

