



PHILIPS

DuraDiagnost

Radiography solutions

Efficient DR room like no other

Philips DuraDiagnost Digital Radiography Solutions

Table of Contents

DuraDiagnost overall benefits	3
Room configurations	
Efficiency room configurations	4
Value room configurations	6
Compact room	8
Chest room	10
Benefits	
Efficient workflow supported by ergonomic design	12
Wireless / Fixed portable flat detectors	14
Dependable Philips DR imaging chain	16
Intuitive Eleva user interface	18
Consistent, quality images with UNIQUE	19
Superb clinical images for confident diagnoses	20
World-class global service support network	22

Flexible DR for **smart, cost effective care**

Experience high reliability, ease of use, and diagnostic confidence

Enjoy a radiography system designed for reliable, consistent performance and low cost of ownership. Philips, a leading provider of digital radiography for the over 20 years, presents DuraDiagnost family.

With a flexible range of room configurations, DuraDiagnost provides your patients a fast, smooth examination, your staff an easy-to-use imaging environment, and your facility a reputation for quality.

Productivity in many forms

Fully featured, compact, or value oriented. Designed for chest, supine, and other general radiography examinations. Whatever you need, you can choose a room configuration that best suits your requirements.

Each solution offers high quality Philips components, making the DuraDiagnost robust and effective. Our world class flat detector, Philips X-ray tube, Eleva user interface, and UNIQUE image processing, combine to achieve excellent image quality and high system uptime.

Make smart use of your financial resources. Discover how the DuraDiagnost can enhance the capabilities of your radiology department.

“We found DuraDiagnost a trustworthy system, offering efficient workflow to meet our clinical needs. It is a perfect fit. The imaging chain of the lightweight SkyPlate plus the Eleva workstation and UNIQUE imaging process software, delivers excellent quality images. The wireless detector technology enables free exposure and easy patient positioning. DuraDiagnost has been a friendly DR solution for our technicians to work with due to its ease of use and short learning curve. We are very satisfied with the capabilities of our DuraDiagnost Digital Radiography solution.”

Prof. Dr. med. Walter Wiesner CEO Radiologie Nordost Diagnostic Centers Switzerland*

Enhance your workflow with DuraDiagnost Efficiency room

When increased patient volume pushes your existing radiography resources to the limit, the DuraDiagnost Efficiency room can help. Available with a variety of options, the Efficiency room is capable of handling a full range of applications including chest, abdominal, and extremity examinations.

Every DuraDiagnost Efficiency room comes fully outfitted with two detectors, vertical stand, X-ray tube floor stand, and table. The distinction is found in the detector and table combinations.

Benefits of two detectors

In the High Performance setup, the fixed detector is set into the vertical stand, while the wireless portable detector is used with the height adjustable table. The system geometry can be easily and quickly positioned for sitting, standing, and supine patients.

Workflow efficiency/ease-of-use

With its flexible configuration, workflow efficiency is enhanced. The use of two detectors supports fast exams and high patient throughput. Overall ease-of-use makes it a valuable diagnostic tool for confident decision-making.

Efficiency room	Fixed height table and two fixed detectors
Efficiency room HAT	Height adjustable table and two fixed detectors
Efficiency room HP	Height adjustable table, one fixed and one wireless detector

Key Advantages

- Reliable performance with high system uptime
- Diagnostic confidence with quality patient care
- High patient throughput enabled by workflow efficiency



Demonstrate financial responsibility with DuraDiagnost Value room

The dedicated Value room offers you a cost-effective opportunity to enter the DR workflow. Central to this performance oriented system is SkyPlate, our lightweight (2.8kg, including battery), cassette-sized, wireless portable detector. SkyPlate can be easily moved between table and vertical stand to accommodate a wide variety of chest, abdominal, and extremity examinations.

Simple, yet fully functional

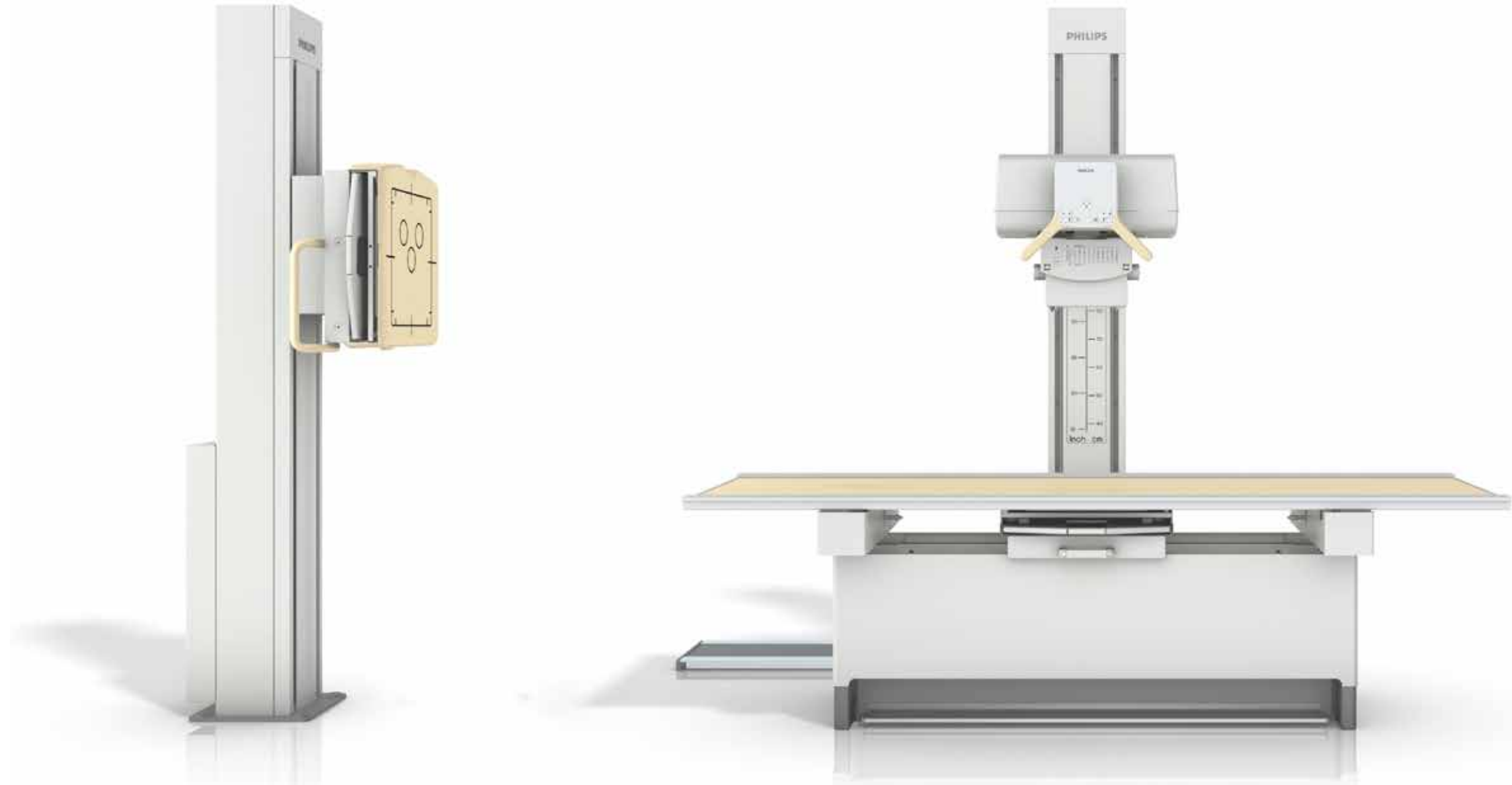
A floor mounted tube stand, your choice of elevating or fixed height table, and a vertical stand complete the configuration. Its most cost-effective feature, the SkyPlate detector, can be positioned in the table, vertical stand, or used free of both.

The room has been designed to provide a comfortable patient examination experience. Simply choose the table type and begin.

Value room	Fixed height table and one wireless detector
Value room HAT	Height adjustable table and one wireless detector

High image quality at a reasonable price point

Although positioned as a cost-effective introduction to DR, the Value room showcases Philips reliable digital imaging chain for consistently high quality images. There is no need to sacrifice quality to fit your budget.



Key Advantages

- Ease of use by intuitive/ ergonomic design of handling
- Reliable performance with full application capability supported by cassette-sized wireless portable detector
- Diagnostic confidence with excellent image quality and reliable performance

Extend your clinical capacity with DuraDiagnost Compact room

Stretch the capabilities of your hospital and budget with Philips DuraDiagnost Compact room. Flexible U-arm geometry helps turn a small space into an efficient, multipurpose DR examination room.

Perform all general digital radiography examinations for standing, sitting, or recumbent patients, using the system's built-in flat detector. Or use the free exposure technique in conjunction with CR cassettes for difficult positions.



Key Advantages

- Single detector system supports all general radiography applications
- Compact design with low cost of ownership
- Durable DR construction with flexible positioning for fast exams



Flexibility at a low cost

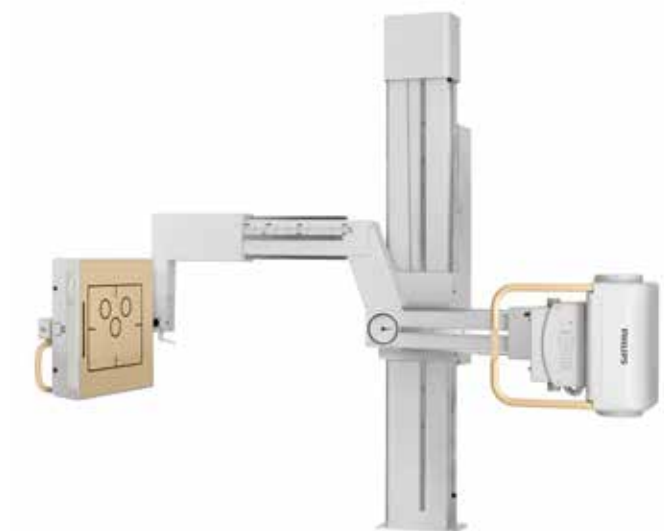
The counter-balanced geometry can be quickly and easily moved into different positions. The X-ray tube is always centered to the detector for fast, and convenient patient positioning.

To keep your cost of ownership low, the system is constructed with sturdy components that are designed to perform well long term.

Fast, smooth exams

Speed and flexibility keeps your schedule moving. The floor mounted U-Arm can be rotated manually from horizontal to vertical in just a few seconds.

The system also allows convenient examination of standing knees thanks to the wide vertical travel range of the U-arm.



Handle growing patient volume with DuraDiagnost Chest room

The innovative design of the DuraDiagnost Chest room simplifies dedicated chest and other vertical exams. The resulting high throughput may lead to a strong return on investment, while always delivering images that meet Philips DR standards.

Not only is the Chest room easy to use, it may enhance patient comfort and provides fast positioning to speed examination time.

Perfect for quick chest exams

To assist your staff with throughput we've designed this room to specifically handle chest examinations in a competent and effective manner.

The vertical stand with a single 17" x 17" wide fixed detector allows for a full range of chest and other vertical examinations, even for wheelchair-bound patients. Examinations of the spine, skull, abdomen and extremities can also be performed comfortably.

Cost and space conscious

The Chest room has only one vertical stand for a working environment where space and budget is an important consideration.



Key Advantages

- Dedicated, fast operation for high throughput environment
- Efficient workflow
- Single stand with fixed detector provides quality, comfort, and consistency

Efficient workflow supported by ergonomic design

Each feature of the DuraDiagnost is designed to assist with the speed, quality, and consistency of your overall examination efforts.



Default Source to Image Distance (SID) (For Efficiency rooms, Value rooms and Chest room)

DuraDiagnost's SID positions are designed to facilitate fast positioning and can be adjusted to support all general radiography examinations.

- Default Position 1 – SID 110 cm
- Default Position 2 – SID 180 cm

Coupling and de-coupling* (For Efficiency rooms and Value rooms)

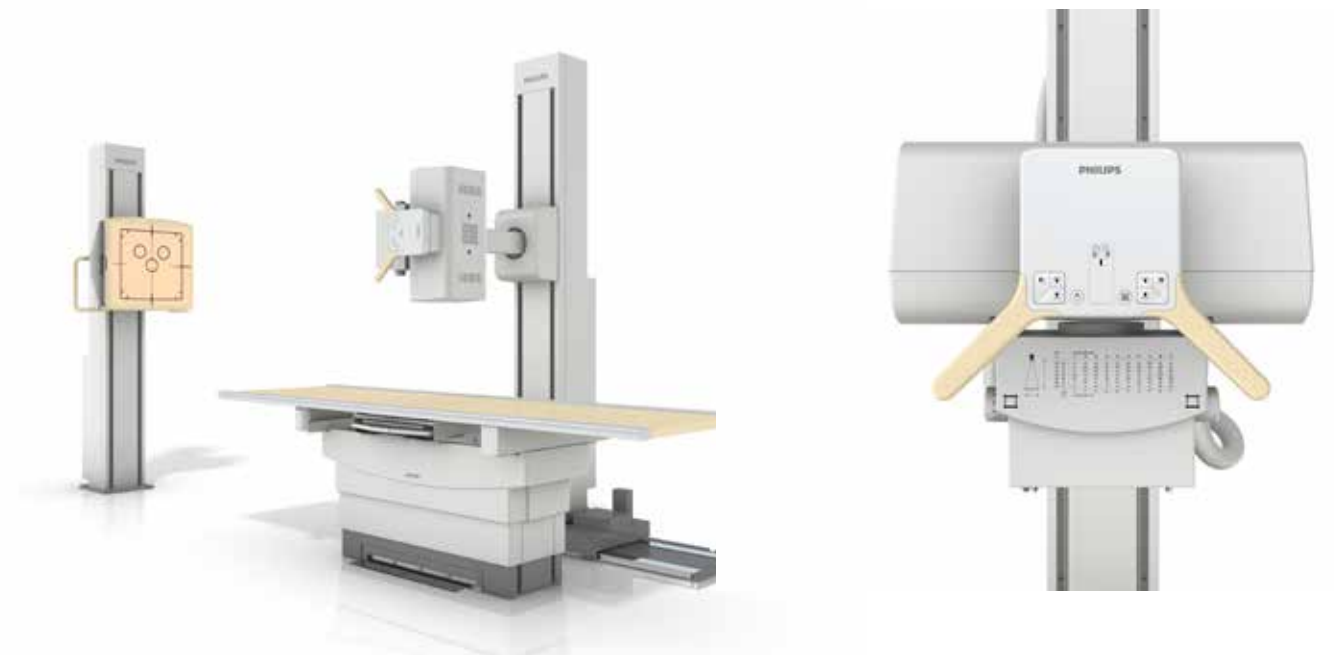
The X-ray tube and detector can be coupled for most straight projections and decoupled for oblique projections.

Comfort Align (For Efficiency rooms, Value rooms and Chest room)

Comfort Align facilitates laser-assisted alignment between X-ray tube and detectors.

SmartOne button (For Efficiency rooms, Value rooms and Chest room)

This intuitive button allows users to easily execute geometry movements with just one finger.



Wireless and Fixed flat detectors

DuraDiagnost offers fixed and wireless portable flat detectors depending upon the room configuration you select.

Key Advantages

- Designed for a long life of reliable performance
- Light and easy to handle for diverse procedure types
- Philips quality imaging for diagnostic confidence

Designed for rigorous use

Both flat detectors can withstand levels of shock and vibration and are stable at a range of temperatures and humidity, offering you solid reliability. The detectors are designed to provide long-lasting performance year after year.

SkyPlate 14" x 17" cassette-sized wireless portable detector gives you untethered access to a wide variety of patient positions. The detector's lightweight design (only 2.8 kg / 6.2 lbs including battery, except North America and China: 3.0 kg / 6.6 lbs) makes it less cumbersome for technologists in their daily work. The 17" x 17" fixed detector can easily cover your area of interest, providing confidence in the diagnostic process.



Fixed flat detector and SkyPlate wireless portable detector

Detector	Fixed detector		SkyPlate wireless portable detector	
Scintillator	Gd ² O ² S		Cesium Iodide (CsI)	
Detector size	43 cm X 43 cm (17" X 17")		35 cm X 43 cm (14" X 17")	
Image matrix size	2874 X 2869 pixel		2330 X 2846 pixel	
Pixel size	148 μm		148 μm	
A/D conversion	16 bits		16 bits	
Active area	42 cm X 42 cm (approx. 16.5" X 16.5")		34.48 cm X 42.12 cm (approx. 13.6" X 16.6")	
Detector pixels	8.2 Megapixel		6.6 Megapixel	
Image resolution	Up to 3.4 Lp/mm		Up to 3.38 Lp/mm	
DQE and MTF values at 1 μGy	DQE (%)	MTF (%)	DQE (%)	MTF (%)
0.05 Lp/mm	37	98.5	66	98.5
1.0 Lp/mm	25	54	50	61
2.0 Lp/mm	13	20	40	30
3.0 Lp/mm	4	7	24	15

Sharing freedom

A variety of SkyPlate sharing combination allows you to efficiently utilize your budget and customize the implementation of your detectors. You can quickly share the SkyPlates among the latest system releases of DuraDiagnost rooms, DigitalDiagnost rooms, MobileDiagnost wDR units, and the analog to digital upgrade ProGrade. There are plenty of sharing options available which can enhance detector, system and room utilization.

Key Advantages

- Lower initial investment while providing a high level of flexibility
- Back-up solution to provide constant uptime
- Smart starting point for expansion, i.e. adding more SkyPlates to your department in the future

Dependable Philips DR imaging chain

DuraDiagnost shares the same generator and Philips tube configuration found on Philips premium DR systems. This dependable digital imaging chain delivers high-quality, virtually distortion-free images time after time.



Powerful X-ray tube

Our X-ray tubes allow excellent performance over a long lifetime with faster cooling than a conventional tube, designed for uninterrupted operation and low lifecycle costs.

Versatile generator

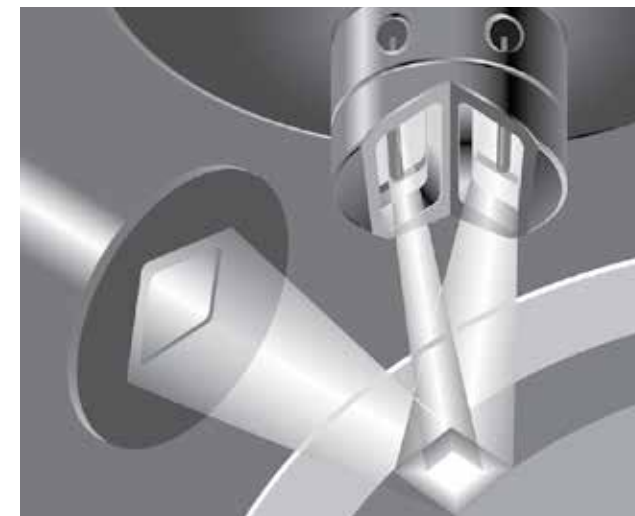
DuraDiagnost offers a wide application range from bariatric to pediatric thanks to flexible generator options (50kW, and optional 65kW/80kW). The generator control console is integrated in the Eleva user interface to streamline workflow.

Anatomical Programmed Radiography (APR) settings make it possible to X-ray patients according to

application, thereby eliminating wrong or missing filters. With automatic exposure control (AEC) the exposure time is set according to exposure voltage and object characteristics in order to automatically obtain the correct exposure.

By choosing the VarioFocus option you'll benefit from a generator feature that uses both the small and large tube filaments simultaneously. In this way you are always using an object-optimized focal spot and optimum geometric resolution. This may result in longer tube life.

The Philips DR imaging chain enhances quality in clinical care.



Key Advantages

- X-ray tube designed for extended, uninterrupted performance
- Generator control integrated into Eleva user interface
- Consistent, high-quality, virtually distortion-free images, time after time

Intuitive Eleva user interface

DuraDiagnost is managed by our Eleva user interface, which provides all the tools and controls necessary for seamless procedures.

This one common platform is easy to learn and use, and is highly suitable for streamlining your radiography department. It is the same harmonized user interface found across our premium DR systems.

Seamless integration

With the Eleva workspot, it takes three easy steps to get an image after exposure. All images and information are integrated into hospital networks such as RIS/PACS and archiving systems through DICOM.

Eleva uses the information from the radiology images system (RIS) to automatically set the right pre-adjustments for image processing, printing, and export to PACS or printer.

Simplified exposure control

All generator functionality is fully integrated into the Eleva workspot. You can easily adapt exposure parameters by choosing from our pre-programmed settings and applying them right from the workspot.



Key Advantages

- Common platform and intuitive user interface
- Easy to learn and use
- Used across a wide range of our radiography imaging modalities

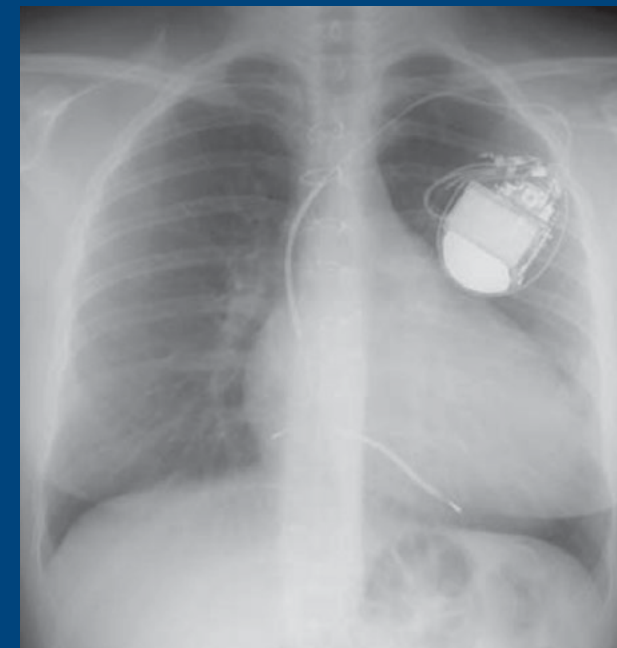
Consistent, quality images with UNIQUE

UNIQUE image processing algorithms are the same as those found in our premium X-ray systems. UNIQUE delivers consistently uniform clinical image quality for all anatomical areas by adjusting the balance between overexposed and underexposed areas.

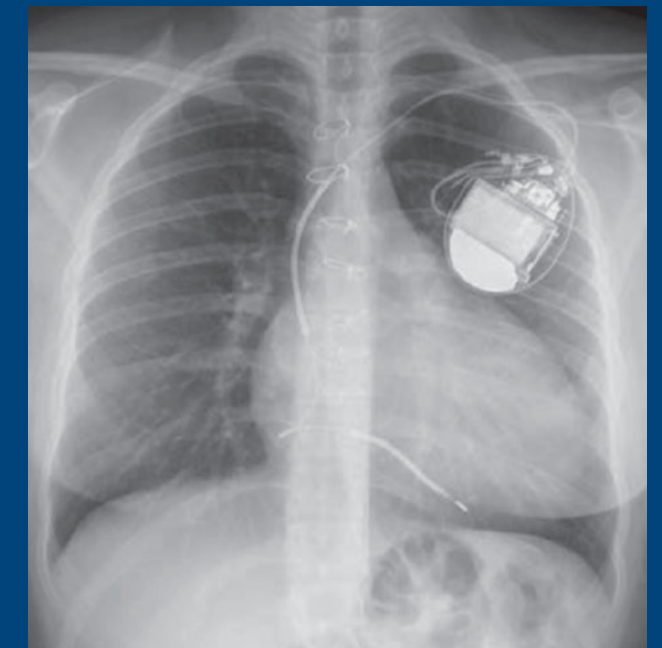
Image quality is enhanced while at the same time preserving natural appearances. And the image display can be customized to your radiologist's individual preferences.

Key Advantages

- Harmonizes contrast
- Enhances weak details and attains detail in all areas
- Achieves consistently high image quality



Standard processing



Phillips UNIQUE image processing

Superb clinical images for **confident diagnoses**



Key Advantages

- Fast, easy to acquire
- Superb detail for confident diagnoses
- Consistent, reproducible quality

DuraDiagnost's innovative combination of image acquisition, procedure management, and post-processing, provide you with image excellence and clinical experience. The superb detail present in every image is a result of thoughtful system design, with each element working in unison.

- **Cutting-edge digital detector** – for high quality image acquisition
- **VarioFocus generator option** – for superb image resolution by use of both the small and large tube filaments
- **Eleva user interface** – for easy adaption of exposure parameters and simple, repeatable workflow
- **UNIQUE image processing** – for automated contrast harmonization resulting in enhanced detail

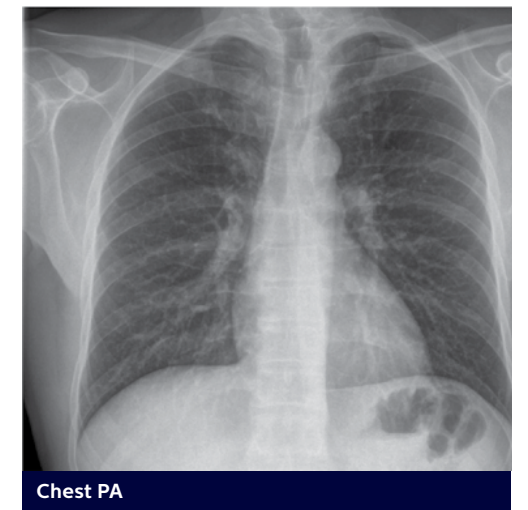
Reliable, consistent performance is the trademark of the DuraDiagnost.



Wrist AP



L-Spine LAT



Chest PA

Always there, always on

We work as one with your teams to keep your systems running smoothly, seven days a week, if needed.¹

- Your service needs don't conform to convenient working hours – our service teams match ability with availability
- You need parts in a hurry – call whenever needed for technical parts expertise across all Philips modalities, and next day delivery
- Waiting for on site service effects your productivity and patients – our remote service and security experts provide over your shoulder protection and advanced fault diagnosis to pro-actively fix your systems seven days a week¹

¹ Requires minimum Right Fit contract. Conditions apply. Offerings are available in selected countries and for selected products only.

“ The level of care coming from the whole Philips team – sales, engineering, servicing – is excellent. We have entered into a partnership that we can trust. I can't speak highly enough of the team”

David Ripper, Clinical Service Manager,
Chesterfield Royal Hospital, Chesterfield, UK.



